

## FOCUS TRACK HEAD



SHOWN: 14W LED Spot Head (Black & White)

### FEATURES

Focus stays true to the conventional style of track lighting systems but incorporates simplistic, modern style. Made out of 1070 pure aluminum, it is built to last. A special twist feature designed within the front of the track head allows for field adaptation that controls the double bifocal lenses. This allows the beam to change from 15° to 55° with maximum uniformity.

### SPECIFICATIONS

MODEL NUMBER	39714
LIGHT SOURCE	29W Integrated LED
BEAM ANGLE	15° - 45° Adjustable
VERTICAL ROTATION	90°
HORIZONTAL ROTATION	350°
KELVIN	3000K/3500K
DELIVERED LUMENS	1655-2165lm
CRI	90+
DIMMING	TRIAC
COLOR	Black/White
INPUT	120V

### CERTIFICATIONS



### ORDERING GUIDE

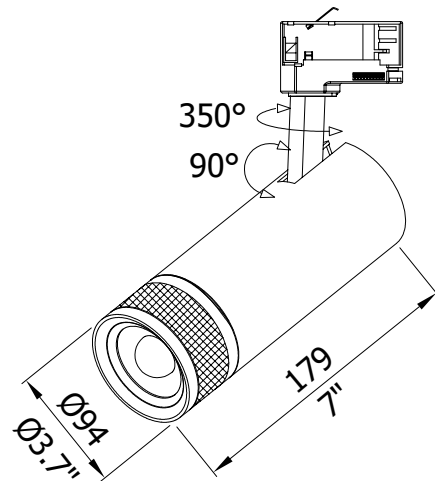
FOCUS	KELVIN	COLOR	PRODUCT CODES
39714	3000K	BLACK (01)	39714-30-01
		WHITE (02)	39714-30-02
	3500K	BLACK (01)	39714-35-01
		WHITE (02)	39714-35-02

### OPTIONAL ACCESSORY

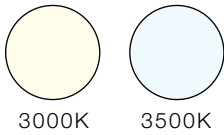


HONEY COMB LOUVER

FINISH	ITEM NUMBER
BLACK	39758-01-018
WHITE	39758-02-018



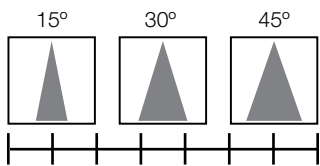
## COLOR TEMPERATURE



## DIMMING



## BEAM ANGLES (FIELD ADAPTATION)



## FINISHES



Matte Black  
(01)



Matte White  
(02)

## CERTIFICATION / RATING

WARRANTY	According to Eurofase standard
ETL/UL	ETL
TITLE 24	Title 24 Compliant
LM79/80 COMPLIANCE	LM80 Compliant
IP RATING	IP20

## LIGHT TECHNOLOGY

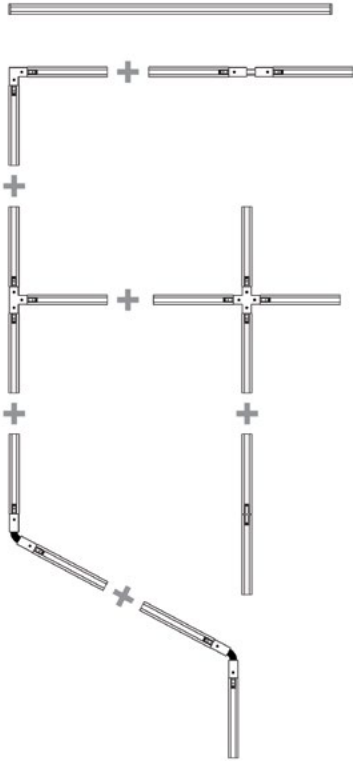
LIGHT SOURCE	COB LED
LED BRAND	Citizen
L90 (LUMEN MAINTENANCE)	L90/55,000 Hours
WATTAGE	29W
NOMINAL LUMEN	1655-2165lm
EFFICIENCY (LM/W)	CITIZEN: 129LM/W (*based on 3000K)
COLOR TEMPERATURE	3000K, 3500K
CRI	90+
DELIVERED OUTPUT & INTENSITY	1655-2165lm
COLOR CONSISTENCY	2-step & 3-step MacAdam Ellipse
DIMMING OPTIONS/CONTROLS	TRIAC dimming
VOLTAGE	120V
POWER SUPPLY	Constant current driver
DRIVER BRAND	LP030-CA07042

## FIXTURE SPECIFICATIONS

LOCATION	Dry
BEAM ANGLE (FIELD ADAPTATION)	15° - 45°
BODY FINISHES	Matte black, matte white

## MODULAR TRACK

- Versatile and adaptable, modular lighting allows you to configure a lighting scheme that is custom configured to your needs
- Feature all adjustability for aiming in any direction
- Field-cutable track sections are combined with feeds and joiners making virtually any configuration possible



## TRACK

- Single circuit track, 3-conductor, 20A maximum per circuit
- Can be surface mounted on walls or ceilings
- Field cuttable to desired length
- Use components to build any desired configuration
- Includes 2 dead-end covers

### 1002 2-FOOT TRACK



### 1004 4-FOOT TRACK



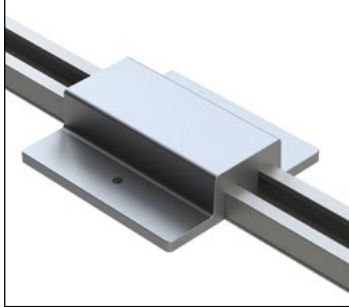
### 1008 8-FOOT TRACK



### FLOATING CANOPY

- Mounts on any point along the track
- Feeds power and covers outlet box

ITEM# FINISHES  
**1615** -01 ● -02 ○



### MINI CONNECTOR

- Joins two tracks mechanically and electrically
- Power cannot be fed

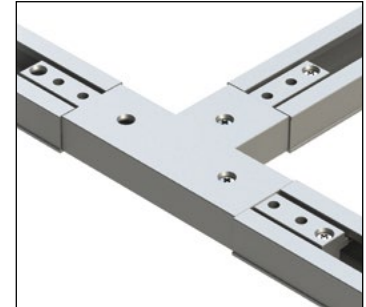
ITEM# FINISHES  
**1560** -01 ● -02 ○



### T CONNECTOR

- For joining three tracks in "T" configuration and feeding power
- Allows independent feed or same circuit.
- Polarized and pre-wired

ITEM# FINISHES  
**1540** -01 ● -02 ○



### LIVE END CONNECTOR

- For feeding track mounted flush to surface without outlet box or canopy

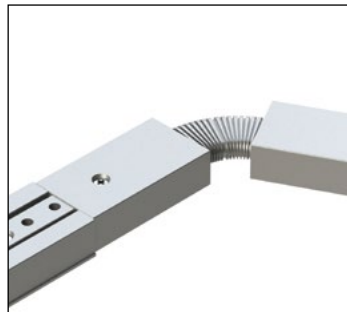
ITEM# FINISHES  
**1510** -01 ● -02 ○



### FLEXIBLE CONNECTOR

- For joining two tracks in a variable angle 0 to 90 degrees and feeding power

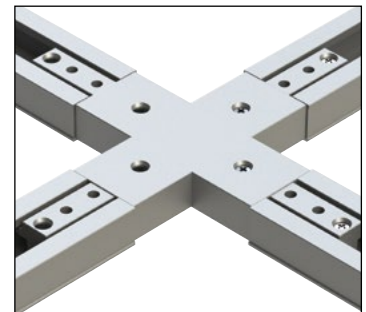
ITEM# FINISHES  
**1570** -01 ● -02 ○



### X CONNECTOR

- For joining three tracks in an "X" configuration and feeding power
- Allows independent feed or same circuit
- Polarized and pre-wired

ITEM# FINISHES  
**1550** -01 ● -02 ○



### LIVE END CONDUIT

- Use with appropriate electrical conduit connector to feed power at track end
- Can be fed from the back or top

ITEM# FINISHES  
**1617** -01 ● -02 ○



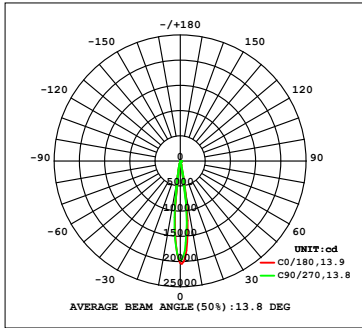
### L CONNECTOR

- For joining two tracks at a 90 degree angle and feeding power
- Allows independent feed or same circuit
- Polarized and pre-wired

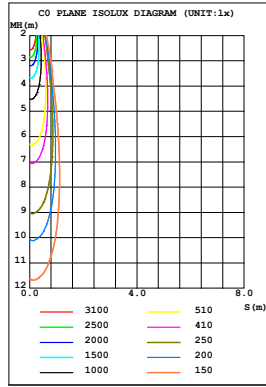
ITEM# FINISHES  
**1530** -01 ● -02 ○



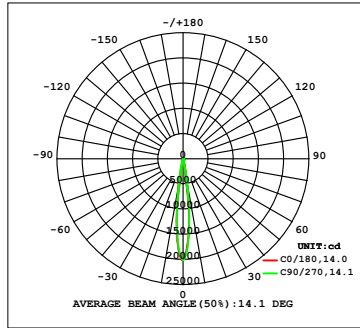
**PHOTOMETRIC SUMMARY**



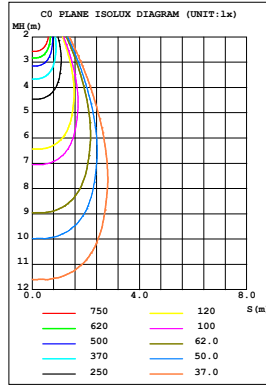
29W - 3000K - 15°



29W - 3500K - 15°



29W - 3000K - 45°



29W - 3500K - 45°

