

FOCUS TRACK HEAD



SHOWN: 14W LED Spot Head (Black & White)

FEATURES

Made out of 1070 pure aluminum, it is built to last. A special twist feature designed within the front of the track head allows for field adaptation that controls the double bifocal lenses. This allows the beam to change from 15° to 55° with maximum uniformity.

SPECIFICATIONS

MODEL NUMBER	39713
LIGHT SOURCE	14W Integrated LED
BEAM ANGLE	20° - 55° Adjustable
VERTICAL ROTATION	90°
HORIZONTAL ROTATION	350°
KELVIN	3000K/3500K
DELIVERED LUMENS	820-1120lm
CRI	90+
DIMMING	TRIAC
COLOR	Black/White
INPUT	120V

CERTIFICATIONS



ORDERING GUIDE

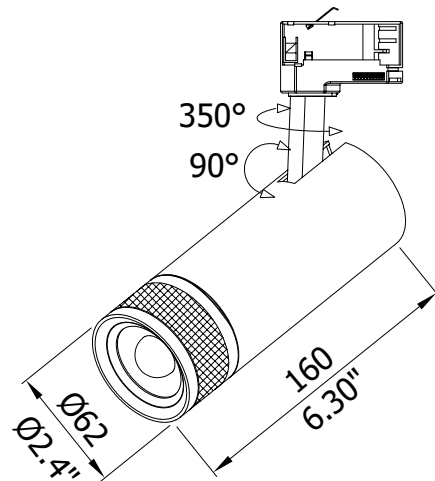
FOCUS	KELVIN	COLOR	PRODUCT CODES
39713	3000K	BLACK (01)	39713-30-01
		WHITE (02)	39713-30-02
	3500K	BLACK (01)	39713-35-01
		WHITE (02)	39713-35-02

OPTIONAL ACCESSORY

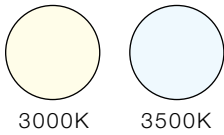


HONEY COMB LOUVER

FINISH	ITEM NUMBER
BLACK	39757-01-018
WHITE	39757-02-018



COLOR TEMPERATURE



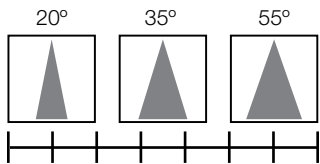
DIMMING



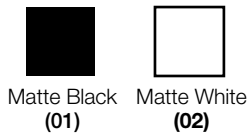
DRIVER



BEAM ANGLES (FIELD ADAPTATION)



FINISHES



CERTIFICATION / RATING

WARRANTY	5 Years
ETL/UL	ETL
TITLE 24	Title 24 Compliant
LM79/80 COMPLIANCE	LM80 Compliant
IP RATING	IP20

LIGHT TECHNOLOGY

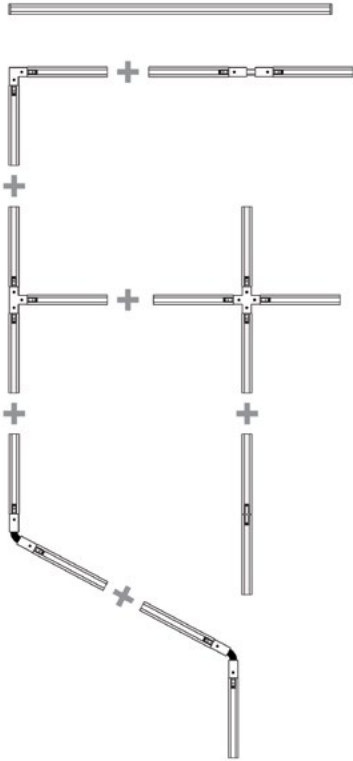
LIGHT SOURCE	COB LED
LED BRAND	Citizen
L90 (LUMEN MAINTENANCE)	L90/55,000 Hours
WATTAGE	14W
NOMINAL LUMEN	820-1120lm
EFFICIENCY (LM/W)	CITIZEN: 129LM/W (*based on 3000K)
COLOR TEMPERATURE	3000K, 3500K
CRI	90+
DELIVERED OUTPUT & INTENSITY	820-1120lm
COLOR CONSISTENCY	2-step & 3-step MacAdam Ellipse
DIMMING OPTIONS/CONTROLS	TRIAC dimming
VOLTAGE	120V
DRIVER MODEL NUMBERS	ESS015W-0350-42
POWER SUPPLY	Constant current driver - Standard uses ERP: TRIAC - Option: 347V on request
DRIVER BRAND	ERP

FIXTURE SPECIFICATIONS

LOCATION	Dry
BEAM ANGLE (FIELD ADAPTATION)	20° - 55°
BODY FINISHES	Matte black, matte white

MODULAR TRACK

- Versatile and adaptable, modular lighting allows you to configure a lighting scheme that is custom configured to your needs
- Feature all adjustability for aiming in any direction
- Field-cutable track sections are combined with feeds and joiners making virtually any configuration possible



TRACK

- Single circuit track, 3-conductor, 20A maximum per circuit
- Can be surface mounted on walls or ceilings
- Field cuttable to desired length
- Use components to build any desired configuration
- Includes 2 dead-end covers

1002 2-FOOT TRACK



1004 4-FOOT TRACK



1008 8-FOOT TRACK



-01 Black



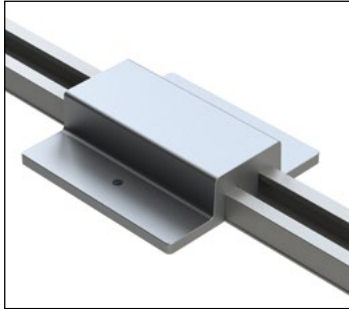
-02 White



FLOATING CANOPY

- Mounts on any point along the track
- Feeds power and covers outlet box

ITEM# FINISHES
1615 -01 ● -02 ○



MINI CONNECTOR

- Joins two tracks mechanically and electrically
- Power cannot be fed

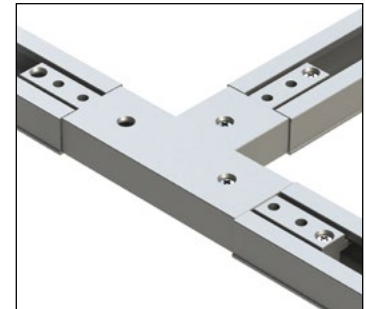
ITEM# FINISHES
1560 -01 ● -02 ○



T CONNECTOR

- For joining three tracks in "T" configuration and feeding power
- Allows independent feed or same circuit.
- Polarized and pre-wired

ITEM# FINISHES
1540 -01 ● -02 ○



LIVE END CONNECTOR

- For feeding track mounted flush to surface without outlet box or canopy

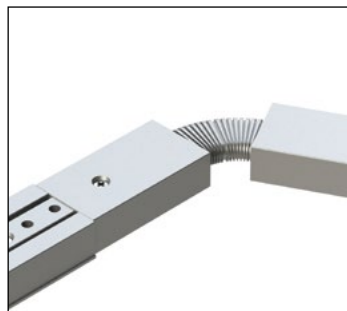
ITEM# FINISHES
1510 -01 ● -02 ○



FLEXIBLE CONNECTOR

- For joining two tracks in a variable angle 0 to 90 degrees and feeding power

ITEM# FINISHES
1570 -01 ● -02 ○



X CONNECTOR

- For joining three tracks in an "X" configuration and feeding power
- Allows independent feed or same circuit
- Polarized and pre-wired

ITEM# FINISHES
1550 -01 ● -02 ○



LIVE END CONDUIT

- Use with appropriate electrical conduit connector to feed power at track end
- Can be fed from the back or top

ITEM# FINISHES
1617 -01 ● -02 ○



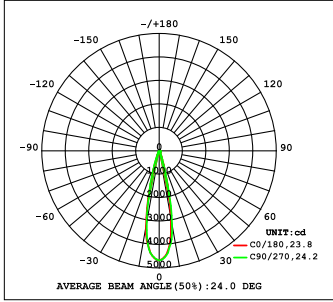
L CONNECTOR

- For joining two tracks at a 90 degree angle and feeding power
- Allows independent feed or same circuit
- Polarized and pre-wired

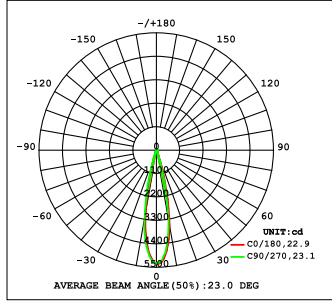
ITEM# FINISHES
1530 -01 ● -02 ○



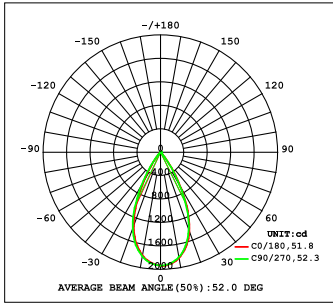
PHOTOMETRIC SUMMARY



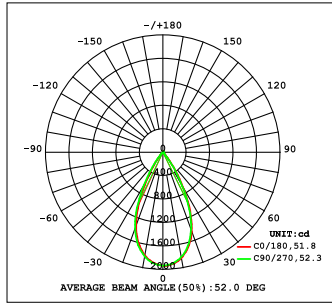
14W - 3000K - 20°



14W - 3500K - 20°



14W - 3000K - 55°



14W - 3500K - 55°