



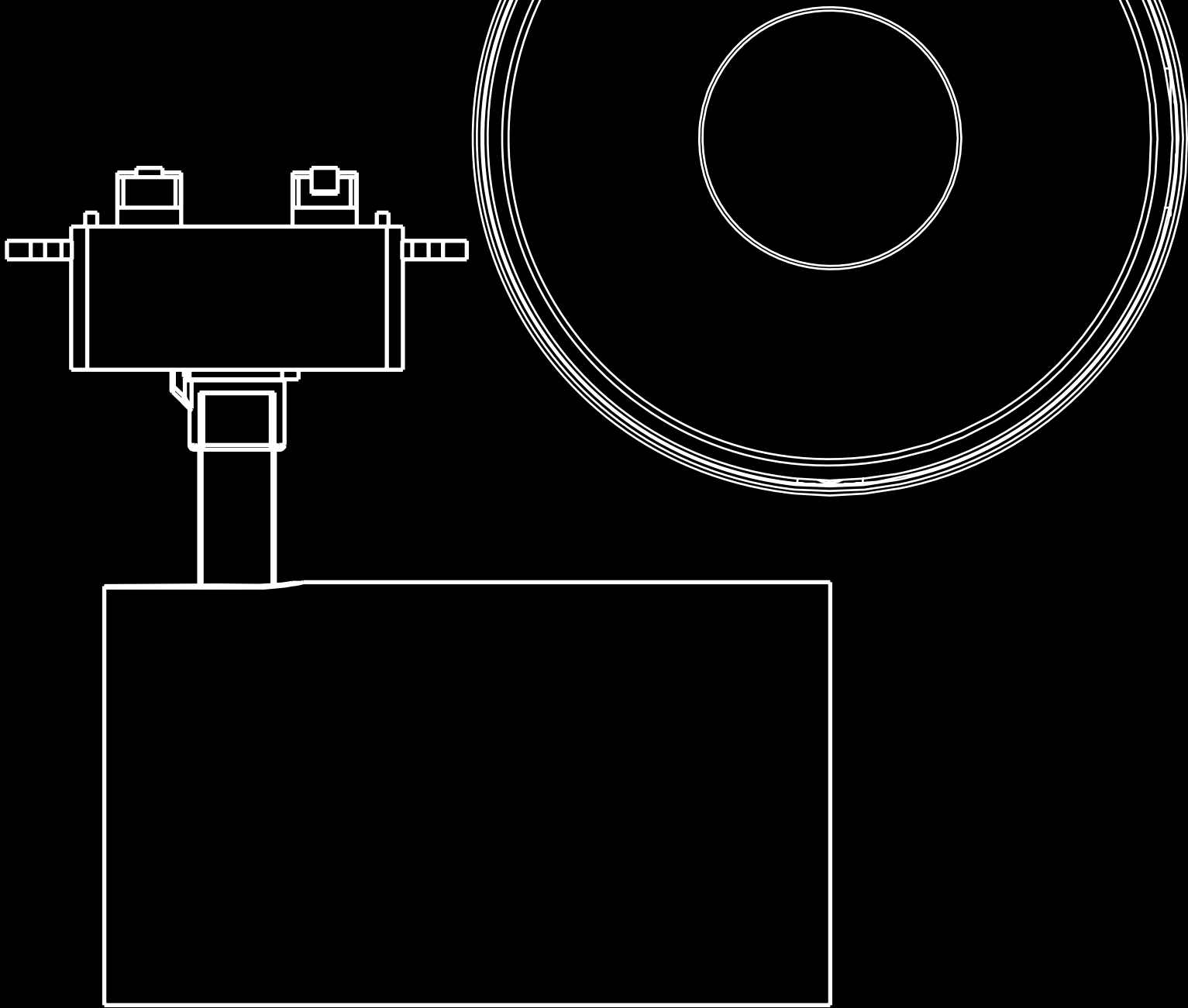
Fase¹™

CHARLIE

FOCUS
CHARLIE







CH

ARLIE

Introducing

THE CHARLIE

Charlie stays true to the conventional style of track lighting systems and incorporates simplistic, modern style. Made out of diecast aluminum, it is built to last with durable strength like no other.

Available in both a matte black and white finish, the Charlie collection will easily match a variety of décor for consistent style.

30W

35455

The spot module is the best choice for directional lighting to highlight specific pieces that deserve that extra attention. Ideal for usage on high ceilings in commercial & retail settings due to its high lumen output. Shape the perfect ambiance by adding supplementary layered lighting for hanging art, sculptures & displays.



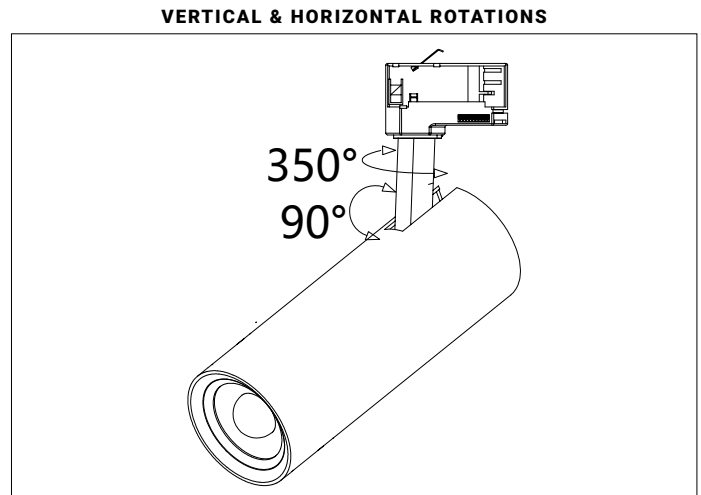
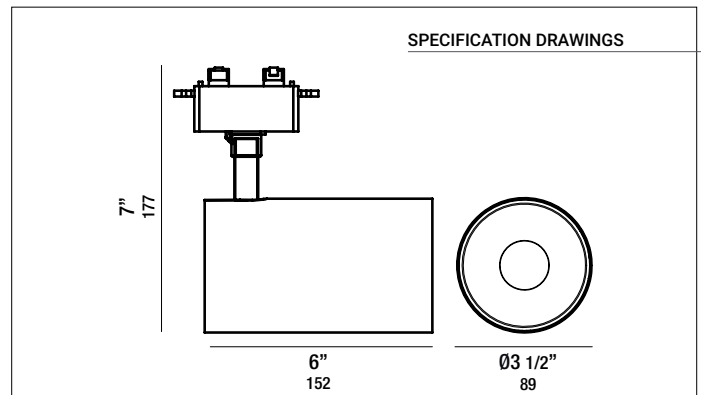
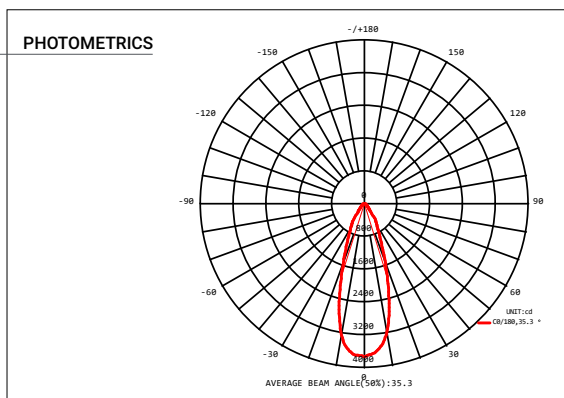
Available in white or black

LAMPING

Model Number: 35455
 Light Source: 30W Integrated LED
 Beam Angle: 30°
 Vertical Rotation: 90°
 Horizontal Rotation: 350°
 Kelvin: 3000K/3500K
 Delivered Lumens: 2670lm
 CRI: 90+
 Dimming: TRIAC
 Color: Black/White
 Input: 120-277V

MODEL	KELVIN	FINISH
35455	-30 3000K	-01 Black
	-35 3500K	-02 White

EXAMPLE: 35455-30-02



** See pg 18 for full photometrics
 *** For customization, please consult Eurofase



15W

35456

The spot module is the best choice for directional lighting to highlight specific pieces that deserve that extra attention. Shape the perfect ambiance by adding supplementary layered lighting for hanging art or sculptures.



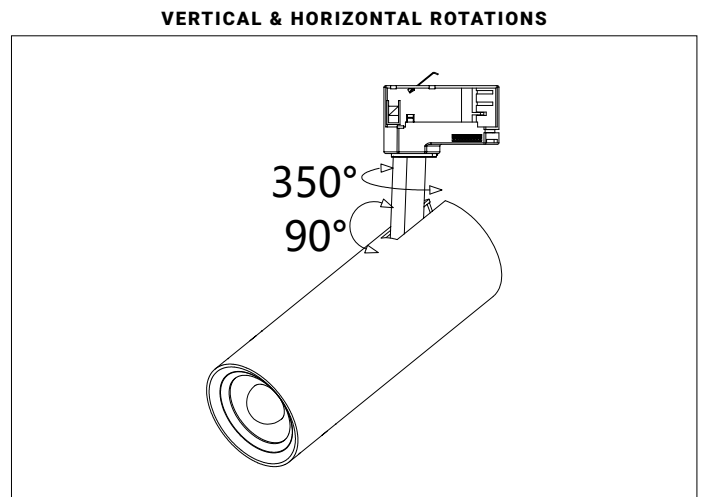
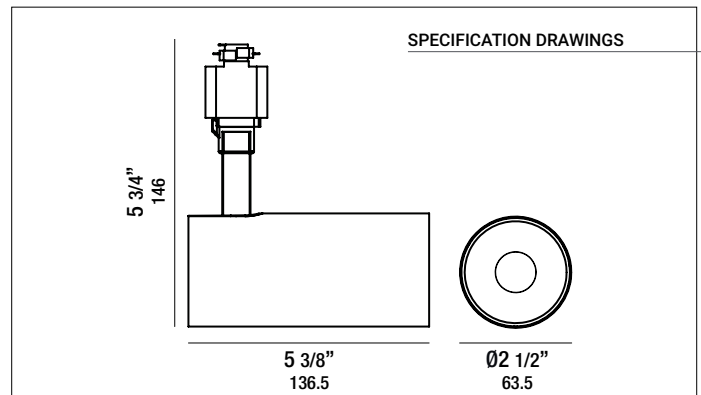
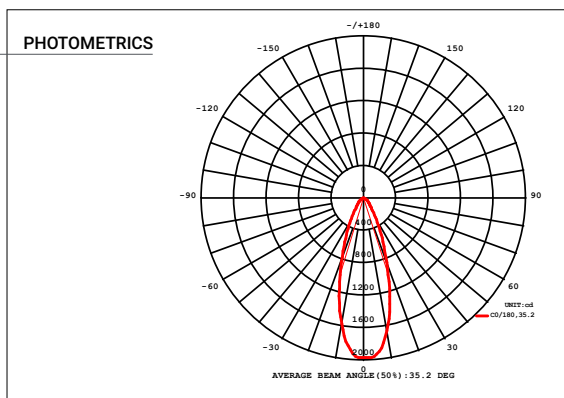
Available in white or black

LAMPING

Model Number: 35456
 Light Source: 15W Integrated LED
 Beam Angle: 30°
 Vertical Rotation: 90°
 Horizontal Rotation: 350°
 Kelvin: 3000K/3500K
 Delivered Lumens: 1380lm
 CRI: 90+
 Dimming: TRIAC
 Color: Black/White
 Input: 120-277V

MODEL	KELVIN	FINISH
35456	-30 3000K	-01 Black
	-35 3500K	-02 White

EXAMPLE: 35456-30-02



** See pg 18 for full photometrics

*** For customization, please consult Eurofase



7W

35457

The spot module is the best choice for directional lighting to highlight specific pieces that deserve that extra attention. Shape the perfect ambiance by adding supplementary layered lighting for hanging art or sculptures.



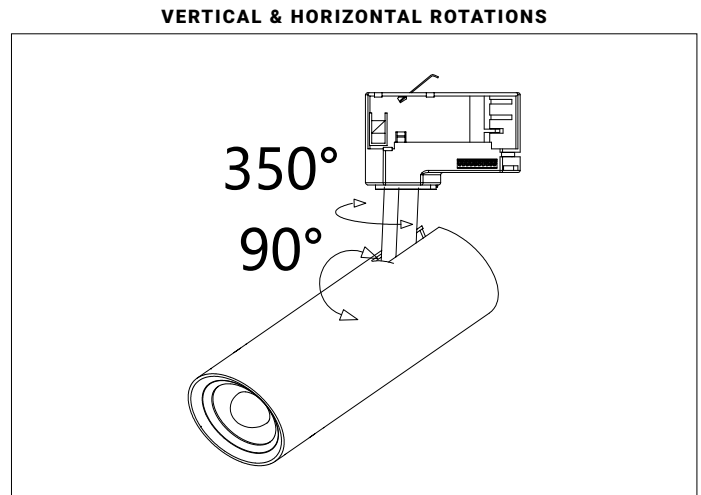
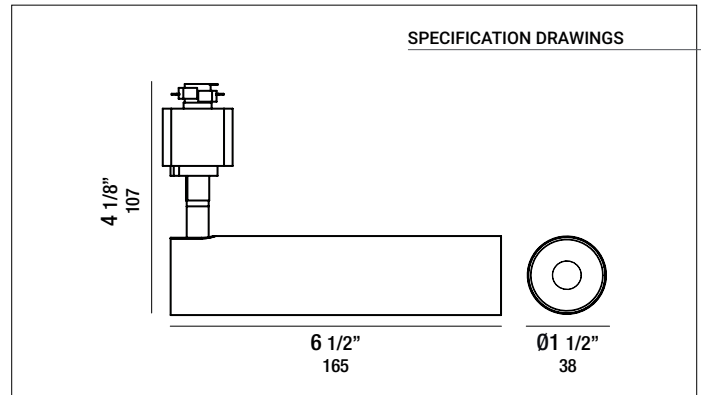
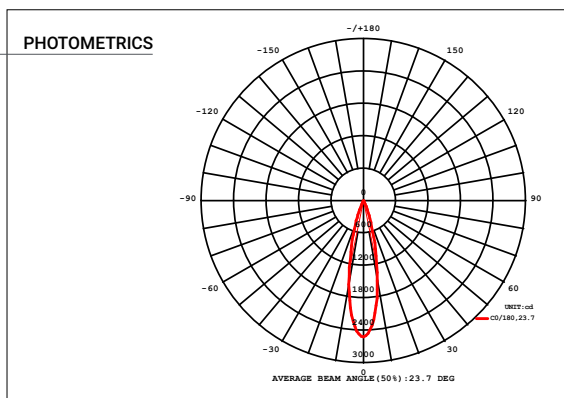
Available in white or black

LAMPING

Model Number: 35457
 Light Source: 7W Integrated LED
 Beam Angle: 24°
 Vertical Rotation: 90°
 Horizontal Rotation: 350°
 Kelvin: 3000K/3500K
 Delivered Lumens: 540lm
 CRI: 90+
 Dimming: TRIAC
 Color: Black/White
 Input: 120-277V

MODEL	KELVIN	FINISH
35457	-30 3000K	-01 Black
	-35 3500K	-02 White

EXAMPLE: 35457-30-02



** See pg 18 for full photometrics
 *** For customization, please consult Eurofase



LASTING IMPRESSION

The Charlie collection are ETL Listed to ensure safe operation for many years to come. We want to ensure your success with every project you tackle. We're also offering a 5 year limited warranty.

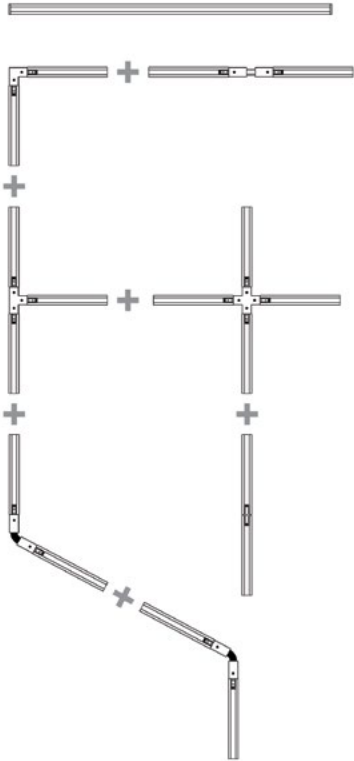




ACCESSORIES

MODULAR TRACK

- Versatile and adaptable, modular lighting allows you to configure a lighting scheme that is custom configured to your needs
- Feature all adjustability for aiming in any direction
- Field-cutable track sections are combined with feeds and joiners making virtually any configuration possible



TRACK

- Single circuit track, 3-conductor, 20A maximum per circuit
- Can be surface mounted on walls or ceilings
- Field cuttable to desired length
- Use components to build any desired configuration
- Includes 2 dead-end covers

1002 2-FOOT TRACK



1004 4-FOOT TRACK



1008 8-FOOT TRACK



-01 Black

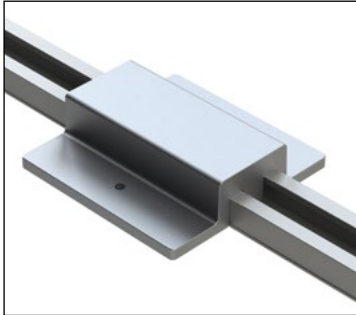
-02 White



FLOATING CANOPY

- Mounts on any point along the track
- Feeds power and covers outlet box

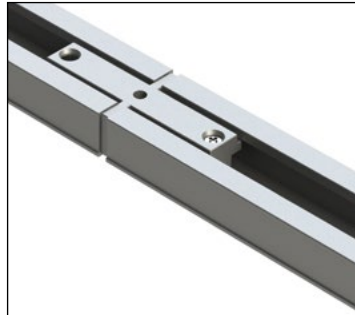
ITEM# FINISHES
1615 -01 ● -02 ○



MINI CONNECTOR

- Joins two tracks mechanically and electrically
- Power cannot be fed

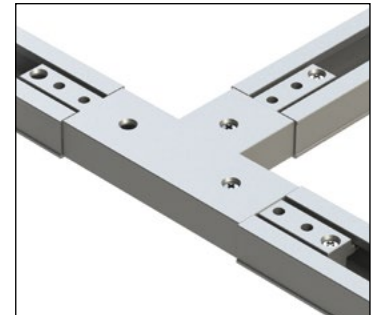
ITEM# FINISHES
1560 -01 ● -02 ○



T CONNECTOR

- For joining three tracks in "T" configuration and feeding power
- Allows independent feed or same circuit.
- Polarized and pre-wired

ITEM# FINISHES
1540 -01 ● -02 ○



LIVE END CONNECTOR

- For feeding track mounted flush to surface without outlet box or canopy

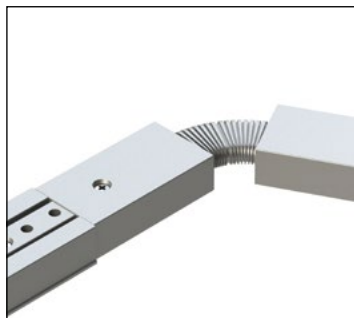
ITEM# FINISHES
1510 -01 ● -02 ○



FLEXIBLE CONNECTOR

- For joining two tracks in a variable angle 0 to 90 degrees and feeding power

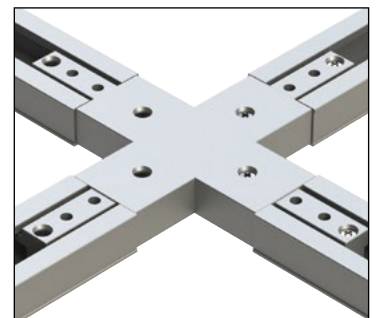
ITEM# FINISHES
1570 -01 ● -02 ○



X CONNECTOR

- For joining three tracks in an "X" configuration and feeding power
- Allows independent feed or same circuit
- Polarized and pre-wired

ITEM# FINISHES
1550 -01 ● -02 ○



LIVE END CONDUIT

- Use with appropriate electrical conduit connector to feed power at track end
- Can be fed from the back or top

ITEM# FINISHES
1617 -01 ● -02 ○



L CONNECTOR

- For joining two tracks at a 90 degree angle and feeding power
- Allows independent feed or same circuit
- Polarized and pre-wired

ITEM# FINISHES
1530 -01 ● -02 ○







Fase¹

33 West Beaver Creek Road,
Richmond Hill, Ontario Canada L4B 1L8

tel 905.695.2055
fax 905.695.2056

toll free 1.800.660.5391
toll free 1.800.660.5390

DALLAS TRADE MART
Eurofase Showroom, Suite #4002



Printed in Canada
© 2021 Eurofase Inc. All rights reserved.

Eurofase Inc. reserves the right to make alterations to the construction and design of products shown in this catalog in order to meet the laws or regulations of any authorized governing organization. The use of products shown in this catalog must comply with local building codes.